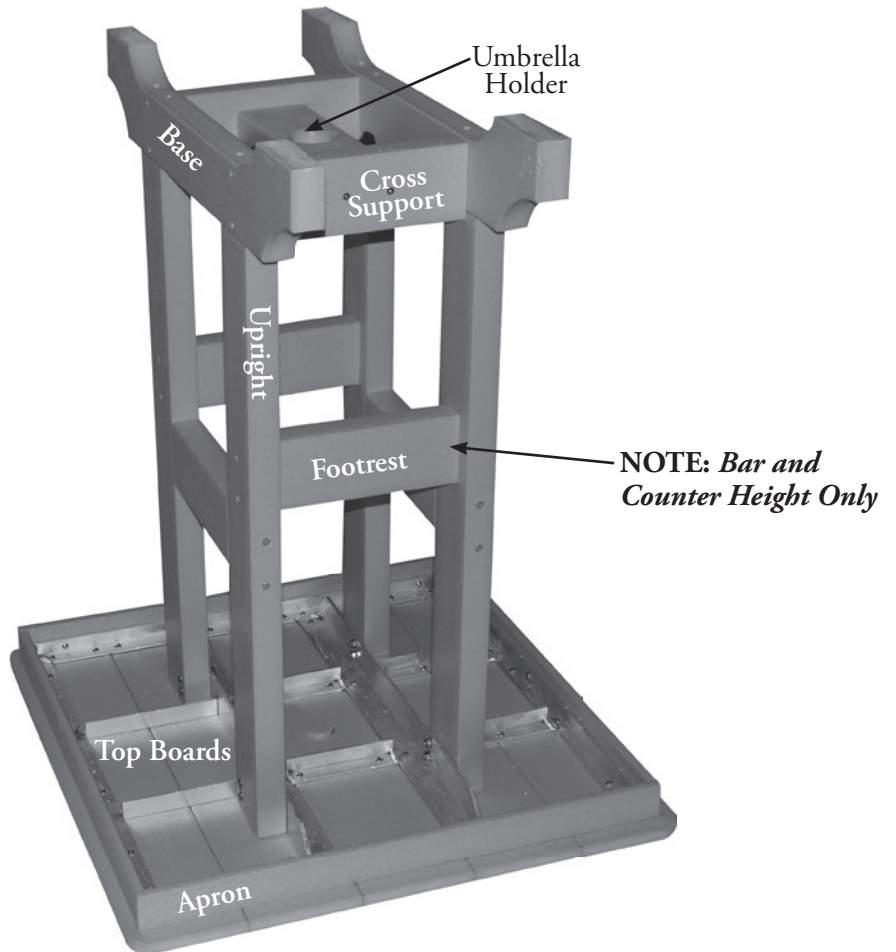


Assembly Directions for 28" Square Table

in Garden Classic Collection
#GCT0028D, #GCT0028C, #GCT0028B



Garden Classic Table



PACKAGE CONTENTS

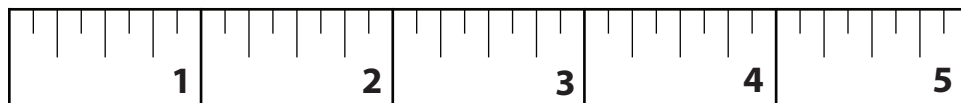
- 1 Top
- 2 Bases
- 1 Cross Support
- 2 Footrests (Bar and Counter Height Only)
- 1 Hardware Package

TOOLS NEEDED:

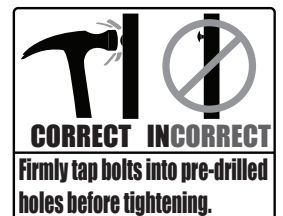
- Hammer
- $\frac{7}{16}$ " Wrench
- Cordless Drill/Screwdriver

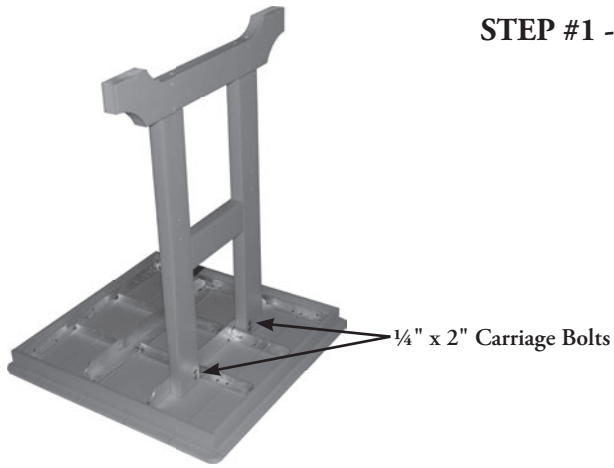
HARDWARE PACKAGE

- 8 $\frac{1}{4}$ " x 2" Carriage Bolts
- 8 $\frac{1}{4}$ " Flange Nuts
- 12 3" Screws
- 2 Umbrella Knobs

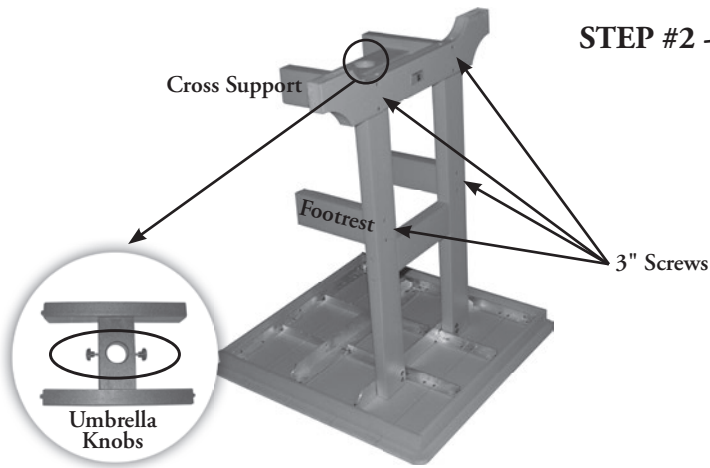


Use to measure bolts

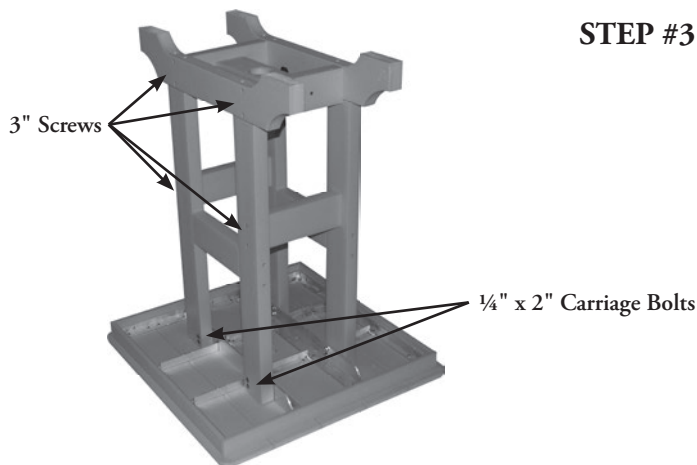




STEP #1 - Fasten the first base to the aluminum frame of the top using 4- 1/4" x 2" carriage bolts.



STEP #2 - First fasten the cross support to the base using 3" screws. Second fasten the two footrests to the upright using 3" screws. (Bar and Counter height only.)



STEP #3 - First fasten the second base to the aluminum frame of the top using 4- 1/4" x 2" carriage bolts. Second fasten the cross support and footrests to the base using 3" screws.



Your 28" Square Table is complete!