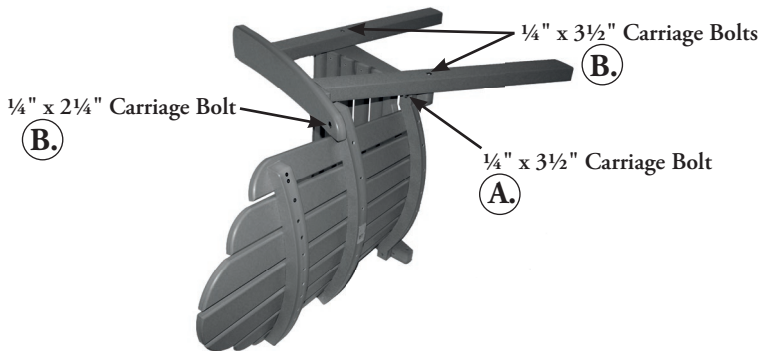


# Assembly Directions for Comfo Cozi Dining Chair

#PCTC2400, #PCTR2400

- STEP #1 -**
- A. Attach the seat to the back using 1-  $\frac{1}{4}$ " x  $3\frac{1}{2}$ " Carriage Bolt and Flange Nuts.
  - B. Attach the arm assembly to the Seat and Back using 2-  $\frac{1}{4}$ " x  $3\frac{1}{2}$ " and 1-  $\frac{1}{4}$ " x  $2\frac{1}{4}$ " Carriage Bolts and Flange Nuts.



- STEP #2 -** Repeat step one.



- STEP #3 -** Your Chair is complete!



## PACKAGE CONTENTS

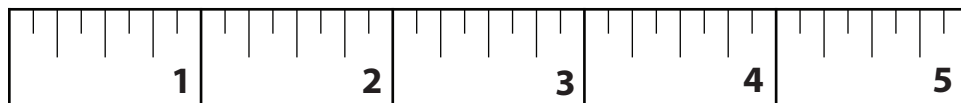
- 1 Back
- 1 Seat
- 2 Arms with Legs
- 1 Hardware Package

## HARDWARE PACKAGE

- 6  $\frac{1}{4}$ " x  $3\frac{1}{2}$ " Carriage Bolts
- 2  $\frac{1}{4}$ " x  $2\frac{1}{4}$ " Carriage Bolts
- 8  $\frac{1}{4}$ " Flange Nuts

## TOOLS NEEDED:

- Hammer
- $\frac{7}{16}$ " Wrench



Use to measure bolts

