



Outdoor
Patio Furnishings

Assembly Instructions

Mission and Van Buren Deep Seating

Tools Needed: hammer, 7/16" wrench, #2 square bit screw driver or power driver, punch
No drilling is required. All the necessary holes are predrilled. Bolts fit snugly in the holes. You may need to use a hammer to drive the bolts through the holes.

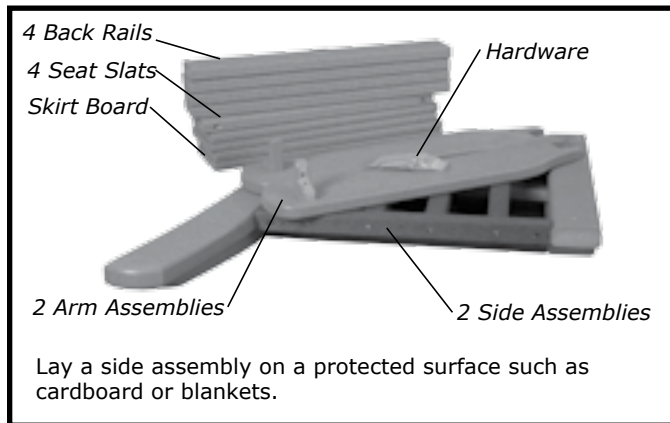
Hardware List for Chair: forty-six 2" screws

Hardware List for Love Seat: fifty-eight 2" screws

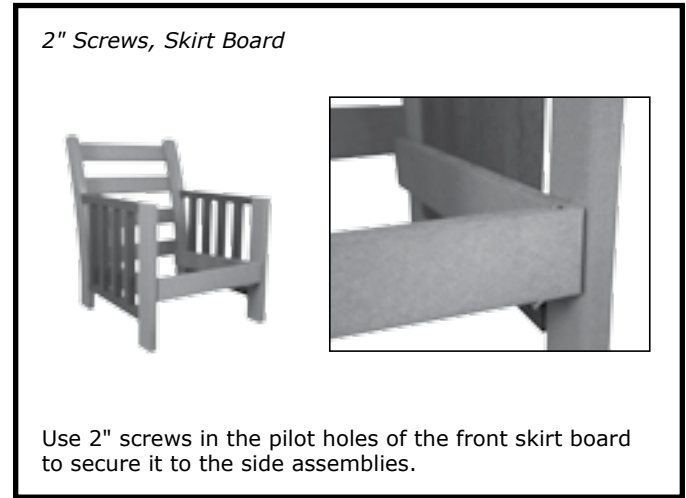
Hardware List for Sofa: seventy 2" screws



Parts



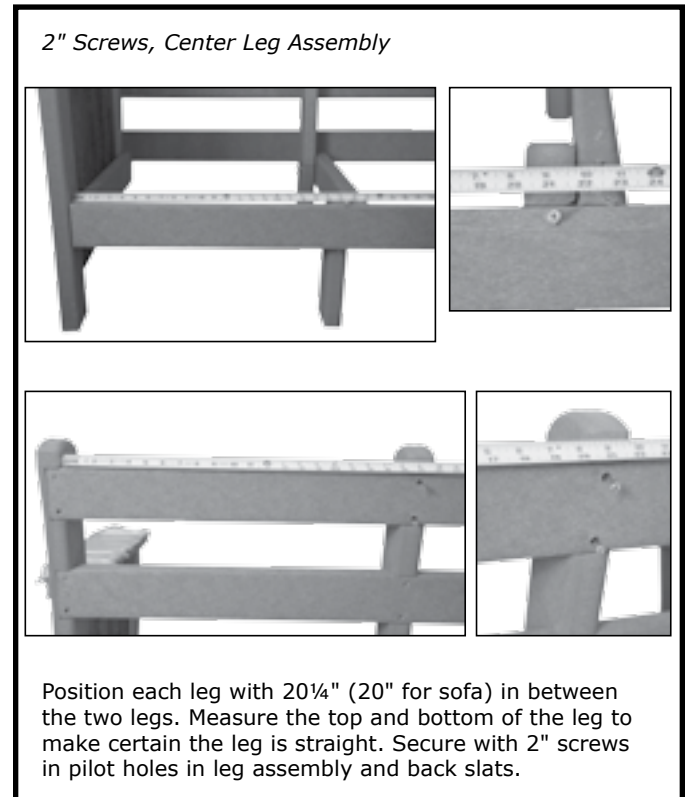
Step 2 — Install the Skirt Board



Step 1 — Install Back Rails



Step 3 — For Love Seat and Sofa Only



Step 4 – Install Seat Slats

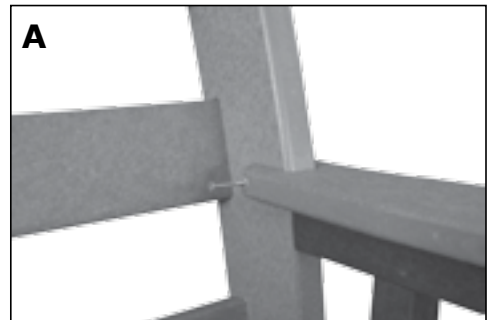
2" Screws, Seat Slats



Place the rear seat slat against the back slat. Place the front seat slat flush with the front of the skirt. Space remaining slats evenly. Secure using 2" screws in the pilot holes.

Step 5 – Install Arms

2" Screws, Arms



Place the arms on top of the side assembly with the small brace on the outside of the front leg. Attach with five 2" screws per arm.

A. Use one screw in the back.

B. Fasten using one screw in the brace and three screws from the bottom.

Congratulations!
Your Deep Seating furniture
is ready to enjoy!



Chair



Love Seat



Sofa