



Outdoor  
Patio Furnishings

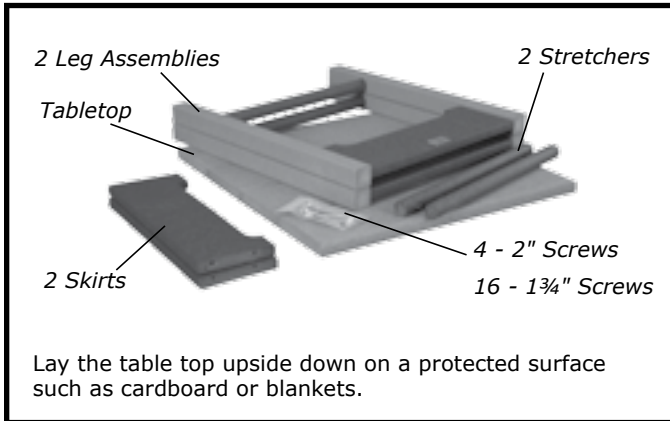
# Assembly Instructions

## Van Buren End Table

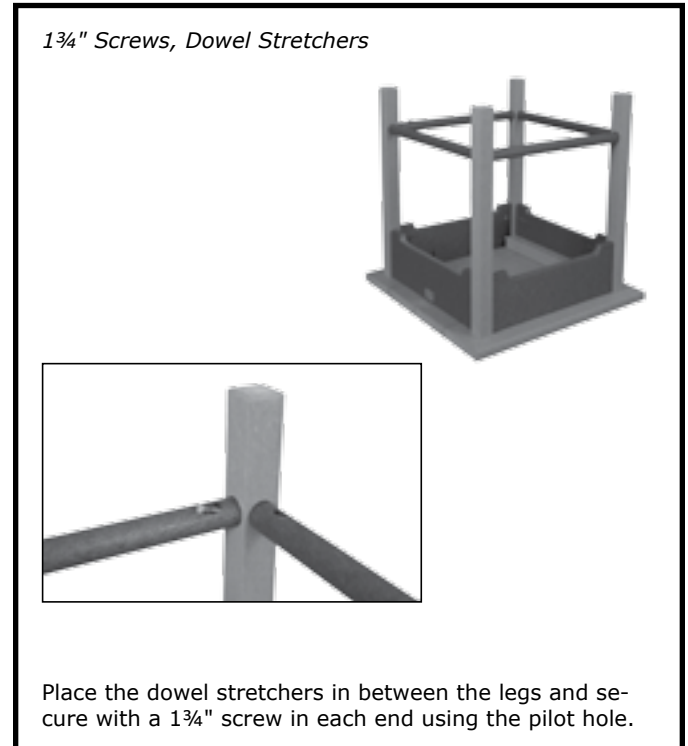
**Tools Needed:** hammer, 7/16" wrench, #2 square bit screw driver or power driver, punch  
No drilling is required. All the necessary holes are predrilled. Bolts fit snugly in the holes. You may need to use a hammer to drive the bolts through the holes.



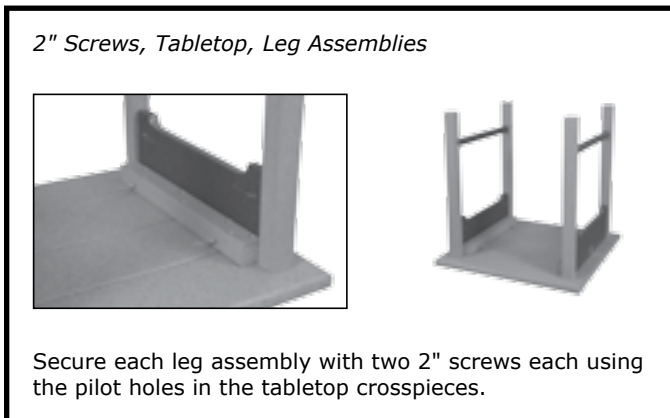
### Parts



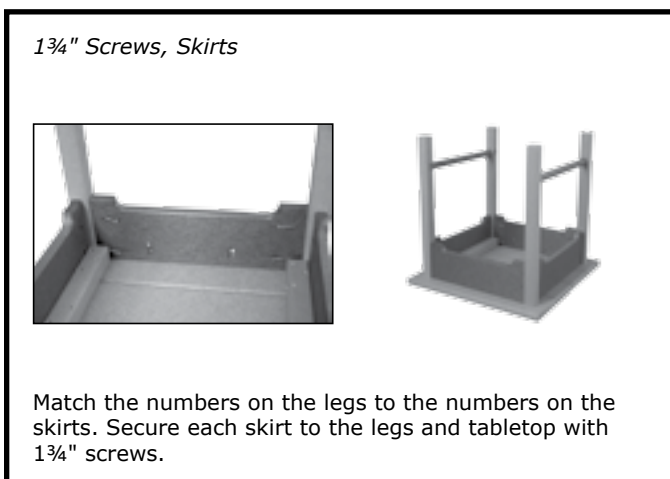
### Step 3 – Install Stretches



### Step 1 – Install Legs



### Step 2 – Install Skirts



Congratulations!  
Your Van Buren end table  
is ready to enjoy!