



Outdoor
Patio Furnishings

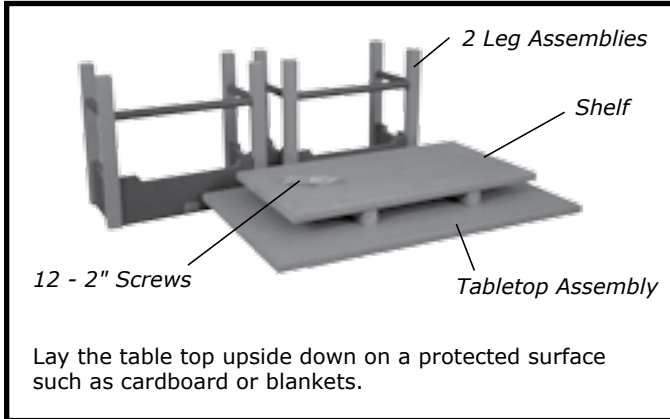
Assembly Instructions

Van Buren Coffee Table

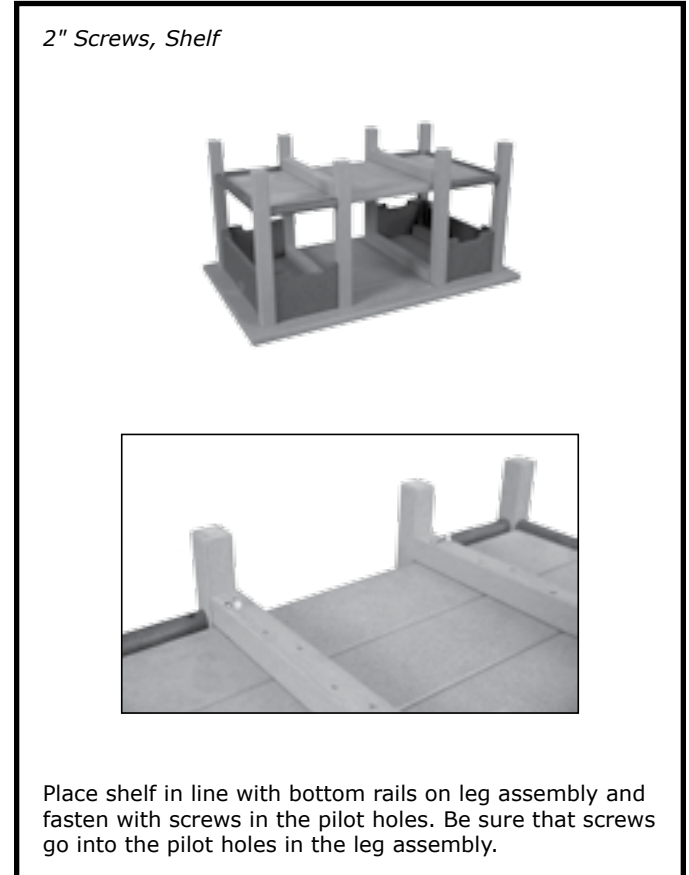
Tools Needed: hammer, 7/16" wrench, #2 square bit screw driver or power driver, punch
No drilling is required. All the necessary holes are predrilled. Bolts fit snugly in the holes. You may need to use a hammer to drive the bolts through the holes.



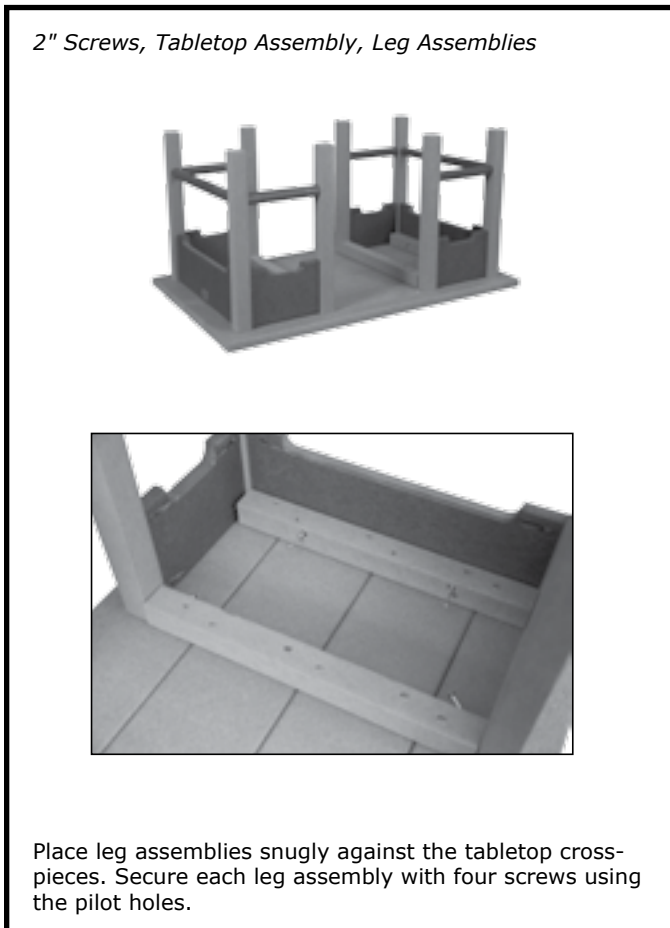
Parts



Step 2 – Install Bottom Shelf



Step 1 – Install Legs



Congratulations!
Your Van Buren coffee table is ready to enjoy!