



Outdoor  
Patio Furnishings

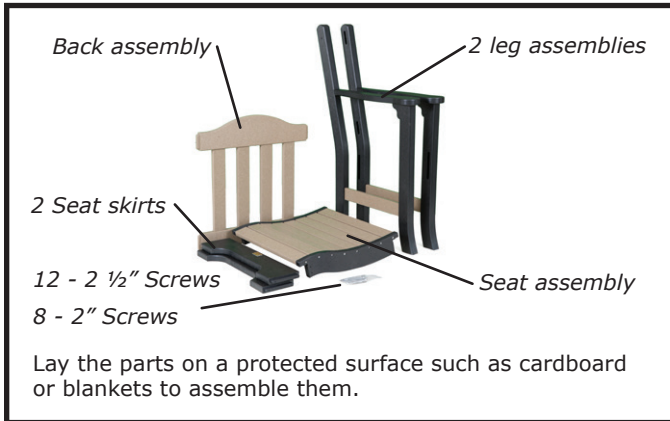
# Assembly Instructions

For Avonlea Garden Chair

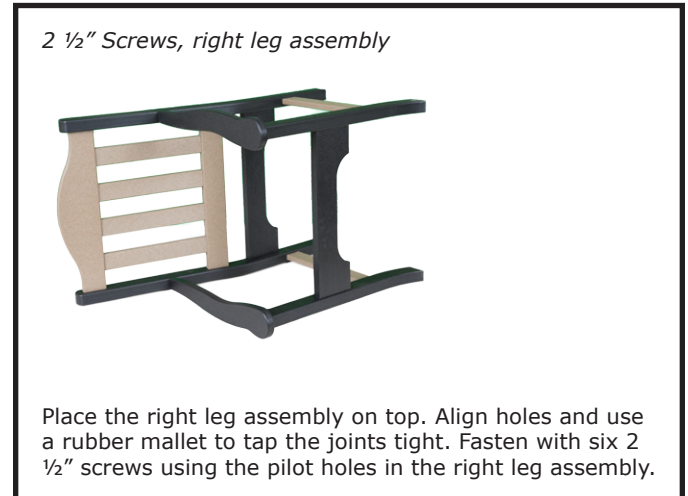
**Tools Needed:** #2 square bit screw driver or power driver, No drilling is required. All the necessary holes are predrilled.



## Parts



## Step 2 – Fasten right leg assembly



## Step 1 – Fasten left leg assembly



## Step 3 – Fasten seat assembly



Congratulations!  
Your Avonlea Garden  
Chair is ready to enjoy!



\*When installing screws, tighten till the head goes slightly below the surface.