

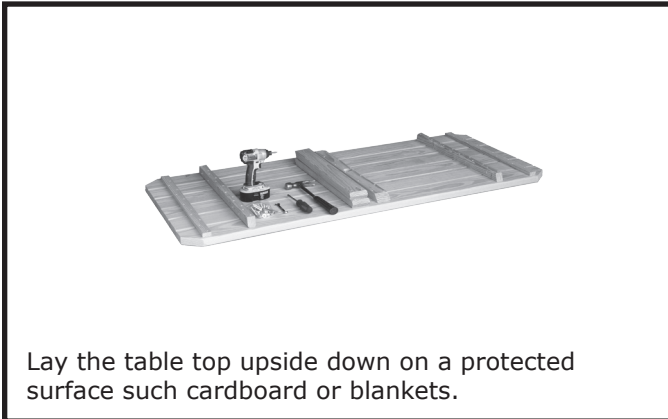
Assembly Instructions

For 3' x 5', 3' x 6', 3' x 8', and 4' x 8' wooden picnic tables with benches attached and 3' x 6' poly picnic tables with benches attached

Tools Needed: hammer, 7/16" wrench, #2 square bit screw driver or power driver
No drilling is required. All the necessary holes are predrilled. Bolts fit snugly in the holes. You may need to use a hammer to drive the bolts through the holes.

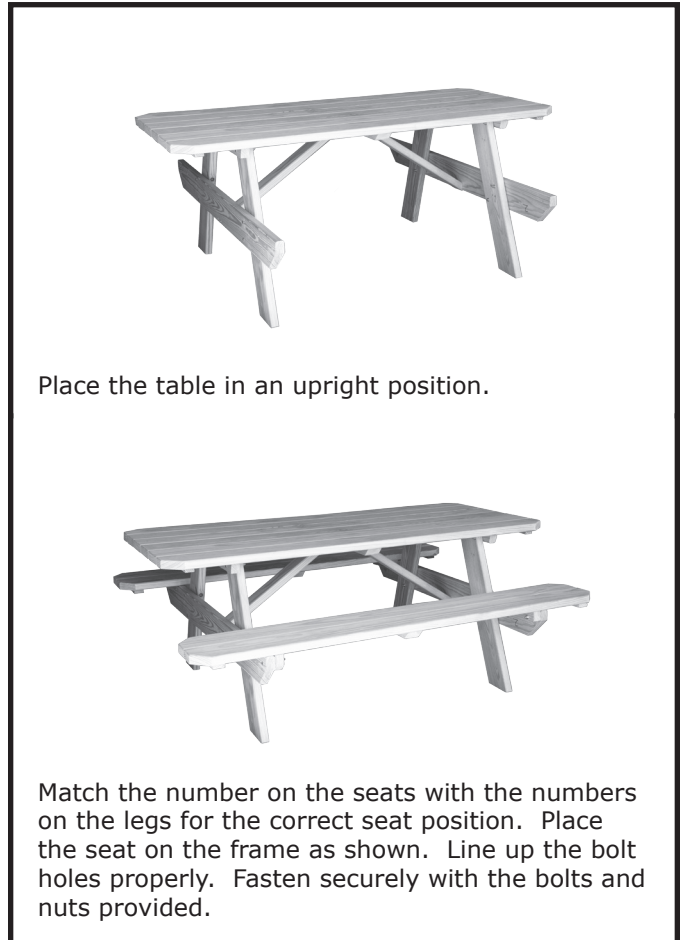


Step 1 — Position Top



Lay the table top upside down on a protected surface such as cardboard or blankets.

Step 4 — Install Seats

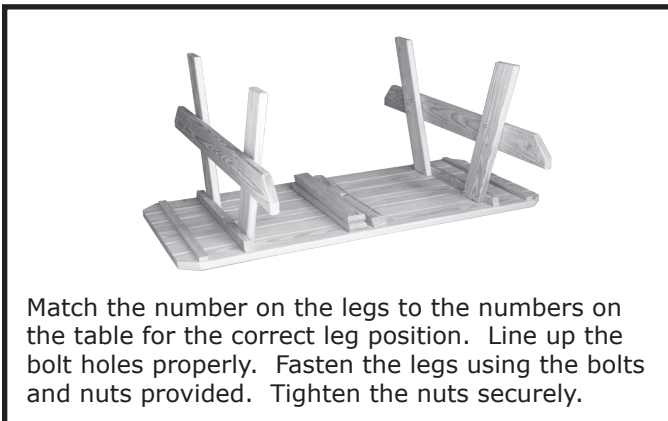


Place the table in an upright position.



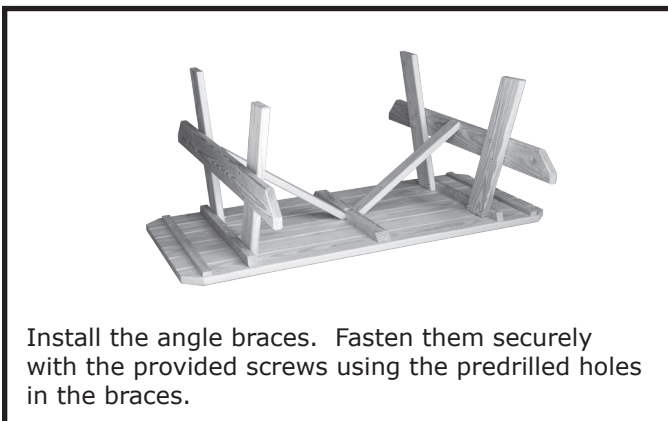
Match the number on the seats with the numbers on the legs for the correct seat position. Place the seat on the frame as shown. Line up the bolt holes properly. Fasten securely with the bolts and nuts provided.

Step 2 — Install Legs



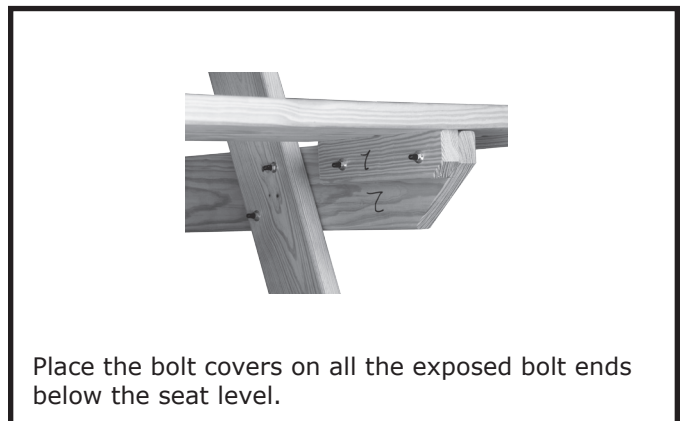
Match the number on the legs to the numbers on the table for the correct leg position. Line up the bolt holes properly. Fasten the legs using the bolts and nuts provided. Tighten the nuts securely.

Step 3 — Install Braces



Install the angle braces. Fasten them securely with the provided screws using the predrilled holes in the braces.

Step 5 — For Wood Tables Only



Place the bolt covers on all the exposed bolt ends below the seat level.