



Outdoor
Patio Furnishings

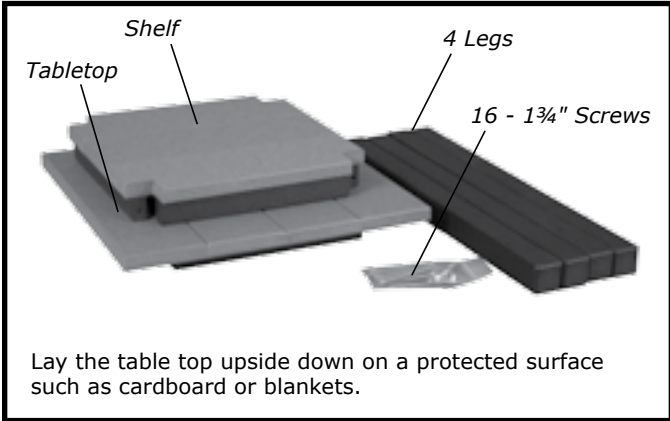
Assembly Instructions

Avonlea End Table

Tools Needed: hammer, 7/16" wrench, #2 square bit screw driver or power driver, punch
No drilling is required. All the necessary holes are predrilled. Bolts fit snugly in the holes. You may need to use a hammer to drive the bolts through the holes.

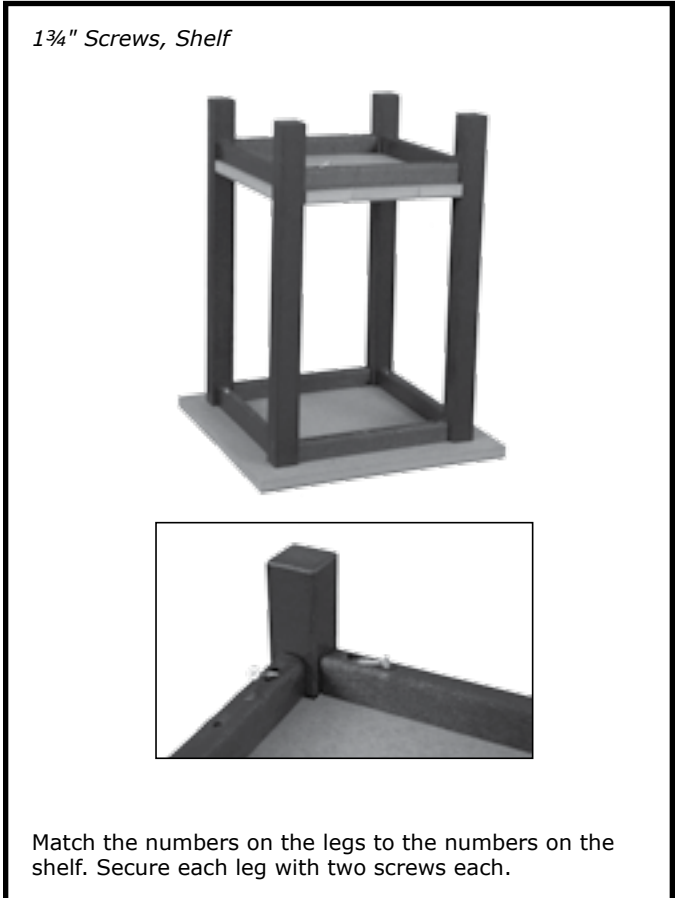


Parts

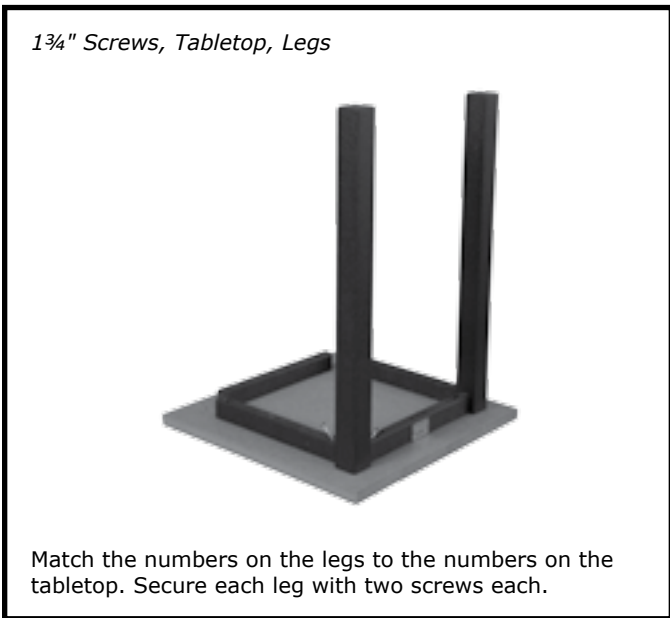


Lay the table top upside down on a protected surface such as cardboard or blankets.

Step 2 — Install Bottom Shelf



Step 1 — Install Legs



Match the numbers on the legs to the numbers on the tabletop. Secure each leg with two screws each.

Match the numbers on the legs to the numbers on the shelf. Secure each leg with two screws each.

Congratulations!
Your Avonlea end table is ready to enjoy!

