



Outdoor  
Patio Furnishings

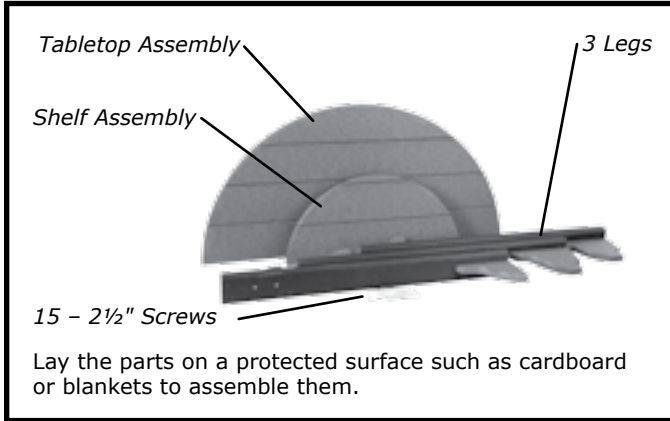
# Assembly Instructions

## 46" Half Round Table

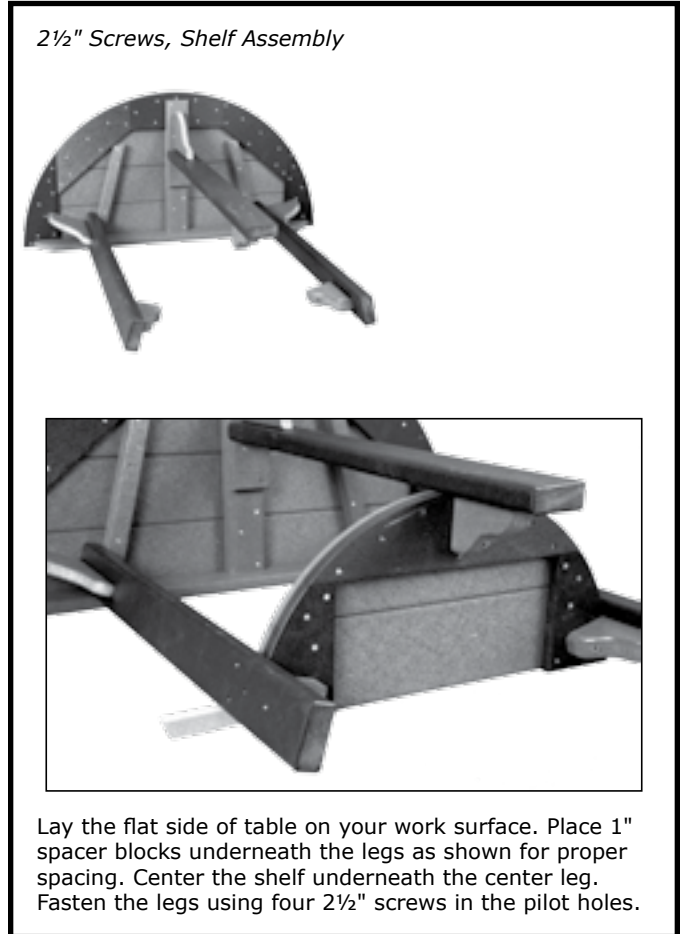
**Tools Needed:** #2 square bit screw driver or power driver, No drilling is required. All the necessary holes are predrilled.



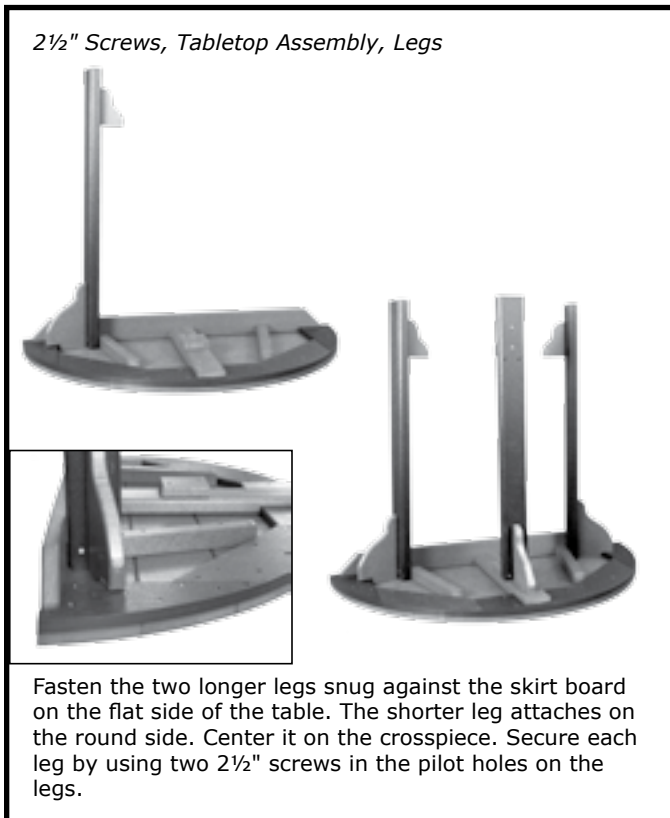
### Parts



### Step 2 — Install Bottom Shelf



### Step 1 — Install Legs



Congratulations!  
Your Half Round Table is  
ready to enjoy!

