

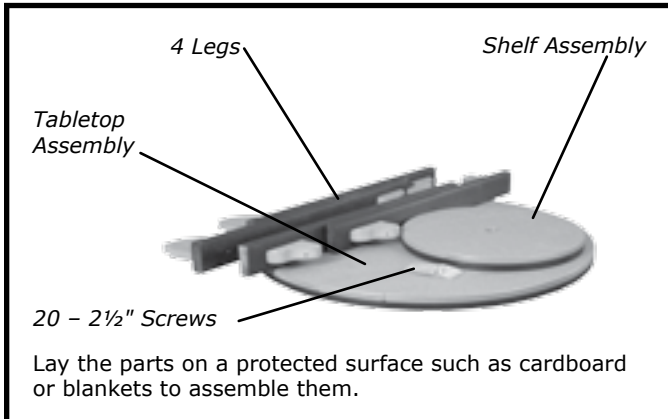
Assembly Instructions

30" and 42" and 48" Round Bar Table and 30" Bistro Table

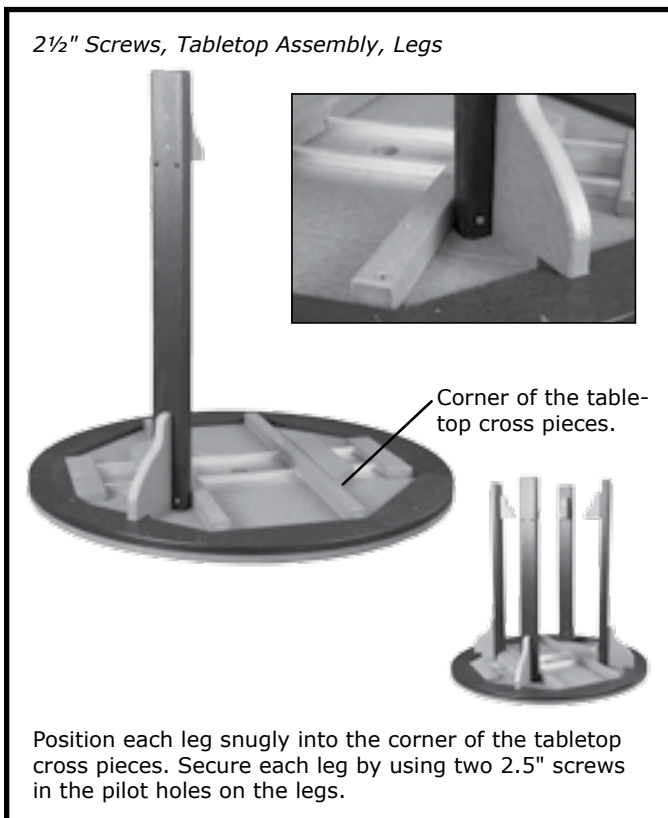
Tools Needed: #2 square bit screw driver or power driver, No drilling is required. All the necessary holes are predrilled.



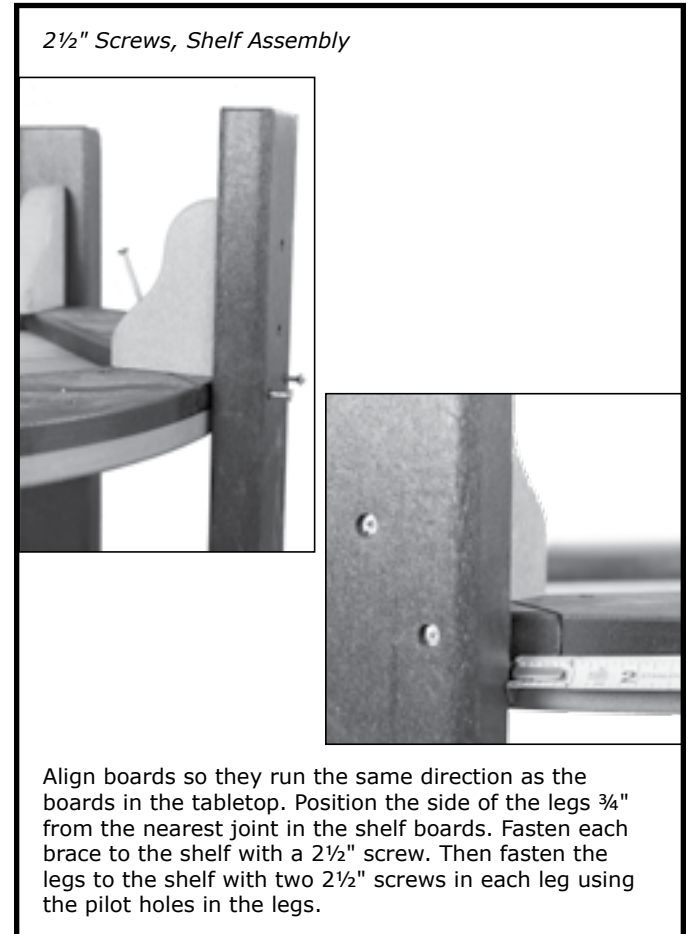
Parts



Step 1 – Install Legs



Step 2 – Install Bottom Shelf



Congratulations!
Your table is ready to
enjoy!

