



Outdoor
Patio Furnishings

Assembly Instructions

Great Bay Dining and Bar Tables

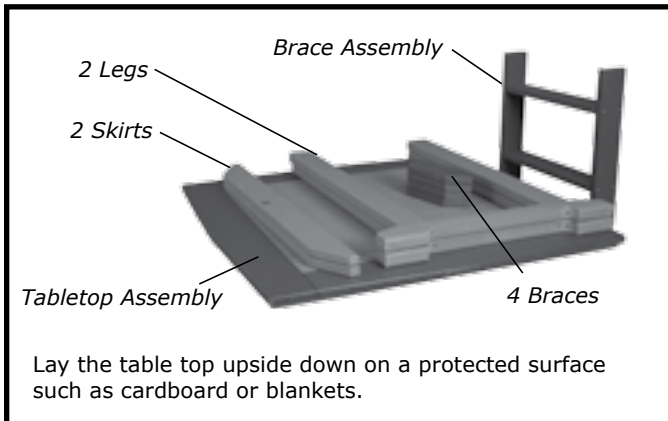
Tools Needed: hammer, 7/16" wrench, #2 square bit screw driver or power driver, punch
No drilling is required. All the necessary holes are predrilled. Bolts fit snugly in the holes. You may need to use a hammer to drive the bolts through the holes.

43" x 43" and 43" x 60" Hardware List: twenty 2½" screws, twenty 2" screws

43" x 72" and 43" x 96" Hardware List: twenty-four 2½" screws, thirty-eight 2" screws

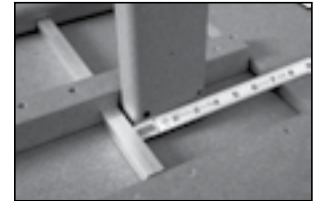
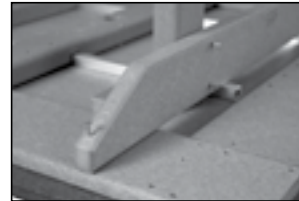
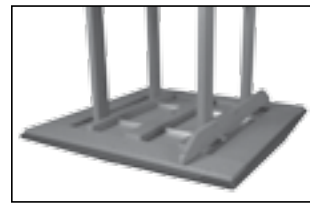


Parts



Step 3 – Fasten Skirt Boards

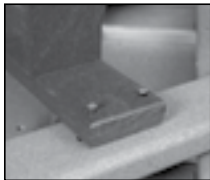
2" Screws, Tabletop Assembly, Legs, Skirt Boards



Use 2" screws in the pilot holes in the skirt board to fasten it to the legs. Place 2" screws in the pilot holes on each end of the skirt board to secure it to the tabletop.

Step 1 – Fasten Brace

2" Screws, Brace Assembly, Legs



Match the numbers on the brace assembly to the numbers on the legs. Fasten the brace assembly to the legs using 2" screws in the pilot holes.

Step 4 – Fasten Braces

2½" Screws, Braces



Secure each brace using two 2½" screws in the pilot holes in the legs and one 2½" screw in the pilot hole in the brace to secure it to the tabletop.

Step 2 – Fasten Leg

2½" Screws, Leg Assembly



Center leg assembly on the tabletop. Fasten using 2½" screws using the pilot holes in the legs.

Congratulations!
Your Great Bay table is
ready to enjoy!

