

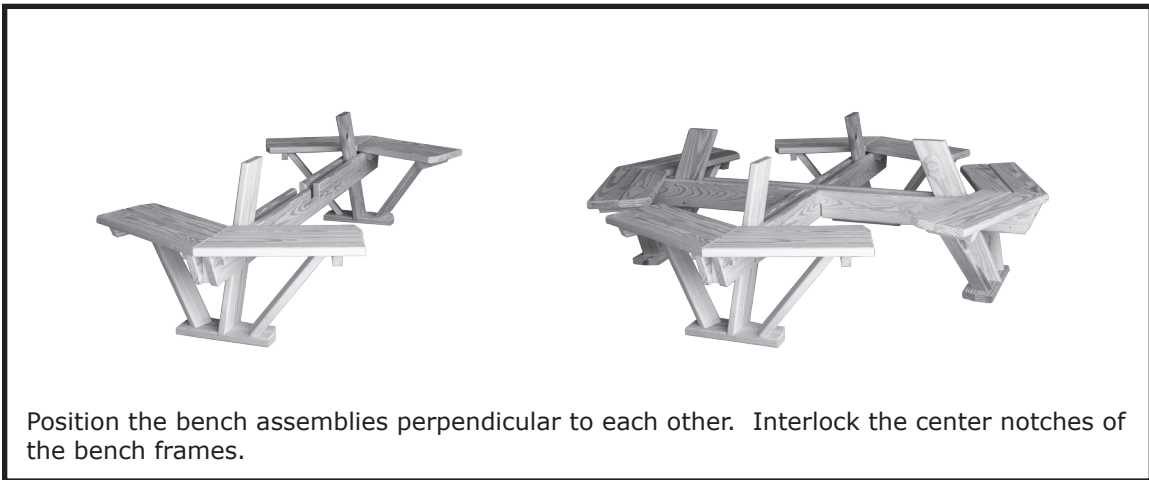
Assembly Instructions

For wood and poly octagon picnic tables

Tools Needed for Poly Tables: #2 square bit screw driver or power driver
No drilling is required. All the necessary holes are predrilled.
No tools or fasteners are needed for wood tables.

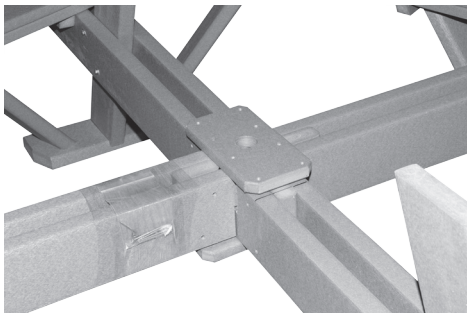


Step 1 – Position Bench Assemblies



Position the bench assemblies perpendicular to each other. Interlock the center notches of the bench frames.

Step 2 – Poly Tables Only



For wood tables skip to step #3. For poly tables fasten the center cross section flanges securely with the screws provided. Place the screws in the top and bottom flanges.

Step 3 – Install Top



Fit the table top onto the frame. Make sure each leg fits securely into the notch on the table top.