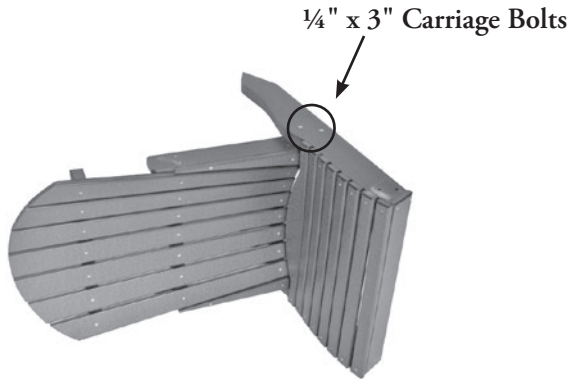


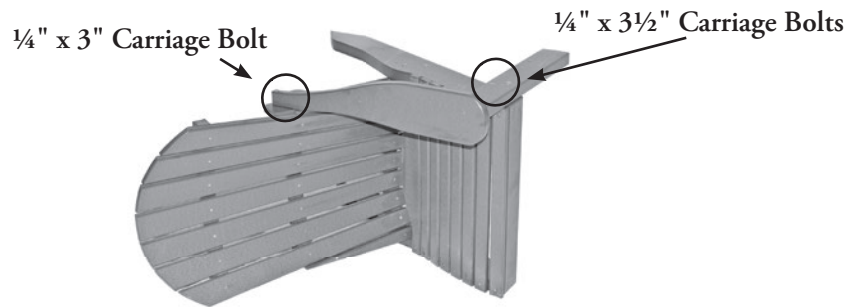
# Assembly Directions for Adirondack Chair

#PATC2400

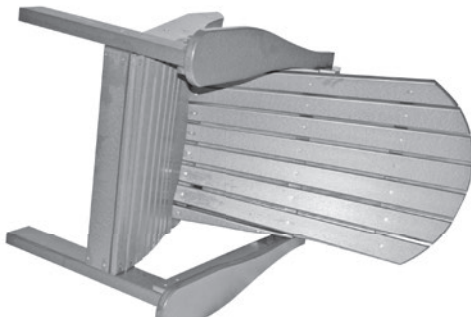
**STEP #1 -** Fasten the seat and the back using two ¼" x 3" carriage bolts.



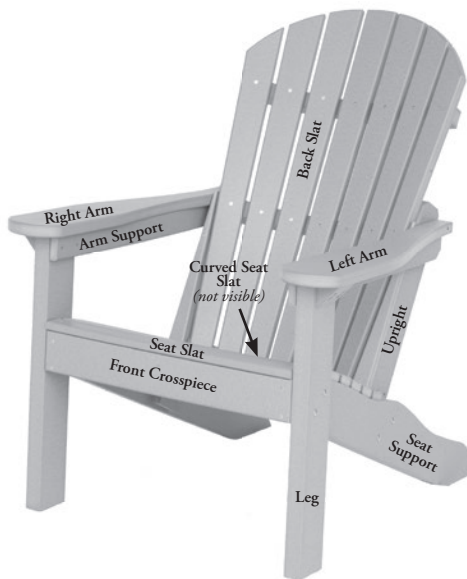
**STEP #2 -** Fasten the arm assembly to the seat support and the back, using two ¼" x 3½" and one ¼" x 3" carriage bolts



**STEP #3 -** Lay the chair on the other side and repeat steps one and two.



**STEP #4 -** Your Adirondack chair is complete!



## HARDWARE PACKAGE

- 6 ¼" x 3" Carriage Bolts
- 4 ¼" x 3½" Carriage Bolts
- 10 ¼" Flange Nuts

## TOOLS NEEDED:

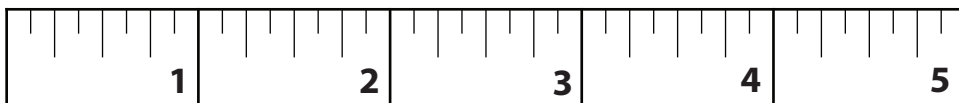
- Hammer
- 7/16" Wrench

## PACKAGE CONTENTS

- |        |                    |
|--------|--------------------|
| 1 Seat | 2 Arms w/ Legs     |
| 1 Back | 1 Hardware Package |



Scan this barcode to view an informative step-by-step assembly video.



Use to measure bolts

