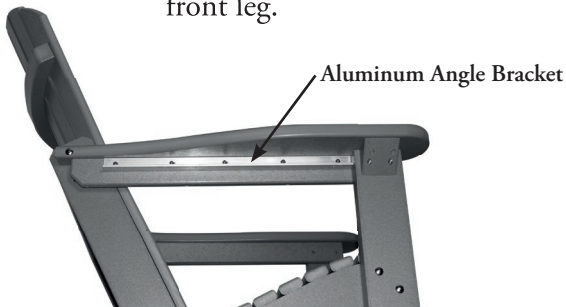


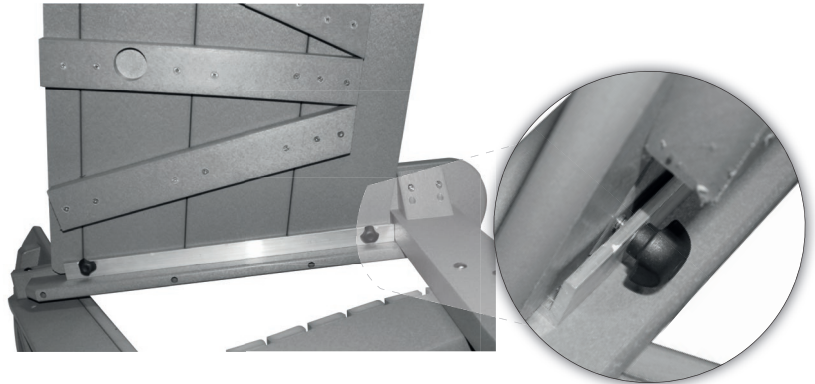
Assembly Directions for Adirondack Chair Tete-a-Tete

#ATAT1823

STEP #1 - Fasten 1-Aluminum Bracket to the left arm of one chair and the right arm of the second chair using $\frac{3}{4}$ " Panhead Screws. Slide the Bracket all the way forward against the front leg.



STEP # - 2 Place the Tete-a-Tete onto the angle brackets and secure by screwing the knobs into the pre-drilled holes in the underside of the table.



STEP #3 -



PACKAGE CONTENTS

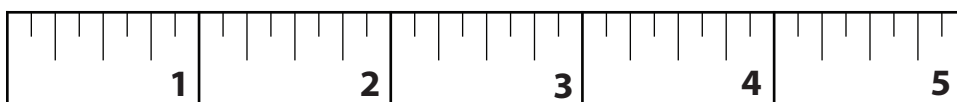
- 1 Tete-a-Tete Table
- 1 Hardware Package
- 2 Aluminum Angle Brackets

HARDWARE PACKAGE

- 10 $\frac{3}{4}$ " Screws
- 4 Knobs

TOOLS NEEDED:

- Cordless Drill/Screwdriver



Use to measure bolts

