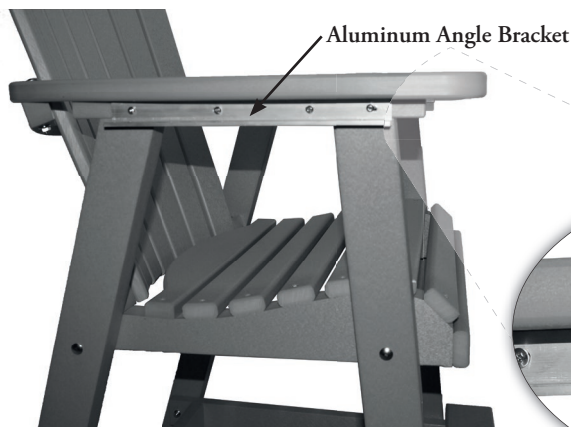


Assembly Directions for Dining/Bar Chair Tete-a-Tete

#DTAT1819

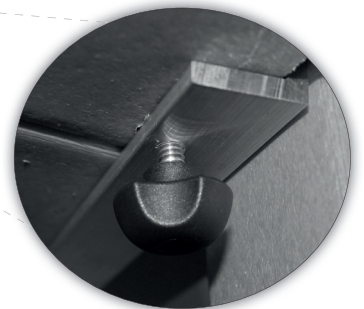


STEP #1 - Place 1 - Aluminum Angle Bracket under the Left Arm of one chair and under the Right Arm of the second chair. Measure 3½" from the end of the Angle Bracket to the front end of the arm and fasten using ¾" screws provided. (See inset.)

STEP # - 2 Screw the Knobs into the pre-drilled holes.



STEP #3 - Place the Tete-a-Tete into the Angle Brackets and secure by tightening the Knobs in the pre-drilled holes. (See inset.)



PACKAGE CONTENTS

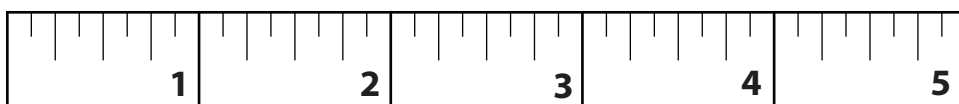
- 1 Tete-a-Tete Table
- 1 Hardware Package
- 2 Aluminum Angle Brackets

HARDWARE PACKAGE

- 8 ¾" Screws
- 4 Knobs

TOOLS NEEDED:

- Cordless Drill/Screwdriver



Use to measure bolts

