

Harbor Table Assembly Guide

Harbor Table Assembly 44"x96" (Dining, Counter & Bar Heights)



Dining Height

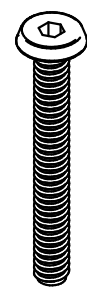


Counter Height



Bar Height

Hardware Included



$\frac{1}{4}$ " x 2"
Bolt x16



3" Buglehead
Screw
Dining Height x24
Counter Height x40
Bar Height x40



$1\frac{1}{2}$ " Buglehead
Screw x8



$\frac{1}{4}$ " Flange
Nut x16



Umbrella Knob x2



$\frac{5}{8}$ " Panhead
Screw x16

Tools / Items Needed



Allen Wrench
(Included)



7/16" Wrench



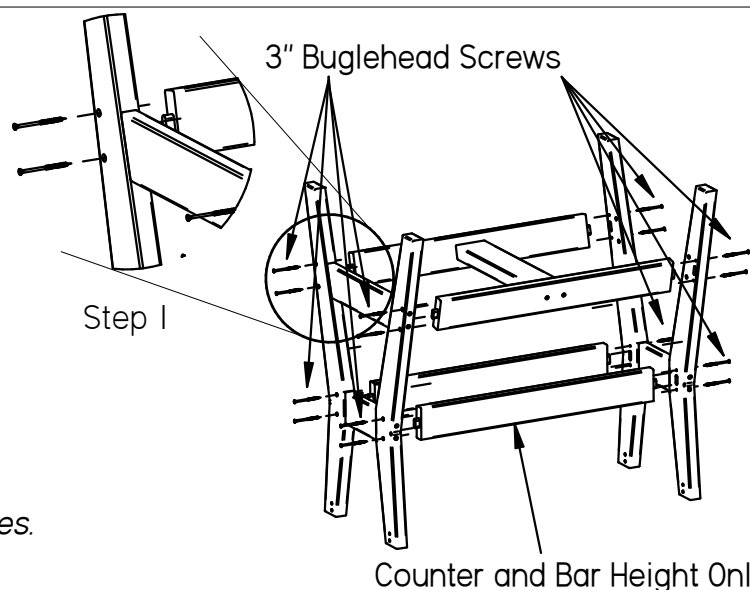
#2 Square Drive Bit



Cordless Drill

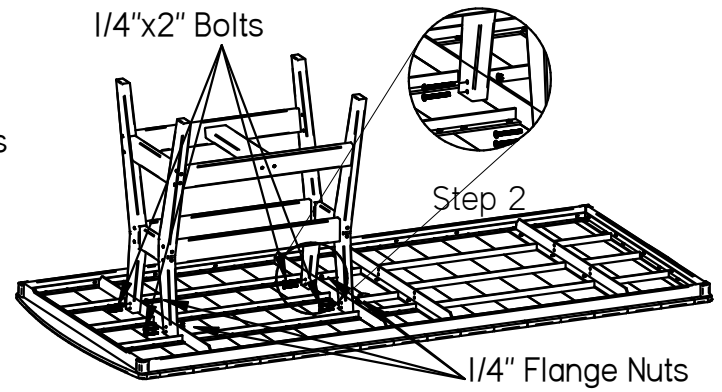
Step 1

Open the box containing the Table top on all sides but leave the top laying in the box. Next fasten cross pieces to 1 base end and 1 base center assembly by inserting cross piece tenons into mortises on base assembly and fasten using 3" Buglehead Screws. (Center base assembly has mortises on both sides of legs) Repeat base assembly with remaining base assembly. You will have 2 separate base assemblies once completed.
NOTE: Dining Height will only have 1 set of cross pieces.



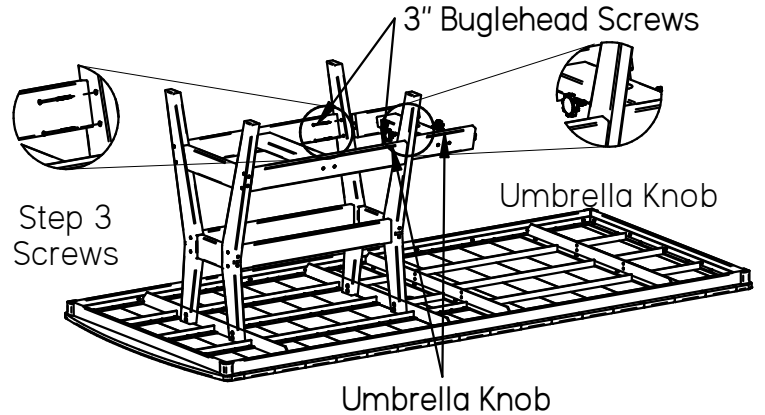
Step 2

Fasten 1 completed base assembly to the table frame as shown by using 1/4"x2" Bolts and 1/4" Flange Nuts.



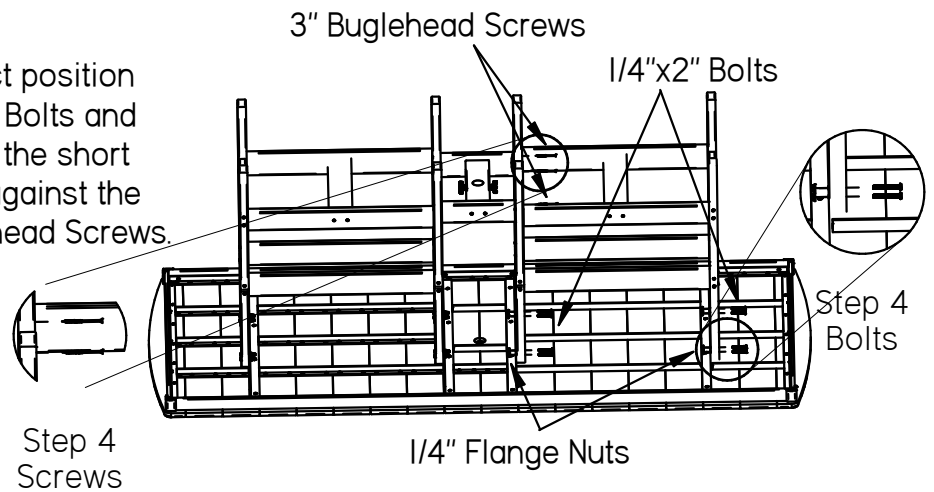
Step 3

Begin by fastening the Umbrella Knobs to the umbrella holder by turning them into the pre-drilled holes. Next fasten the small cross supports with the umbrella holder to the center base assembly using 3" Buglehead Screws.



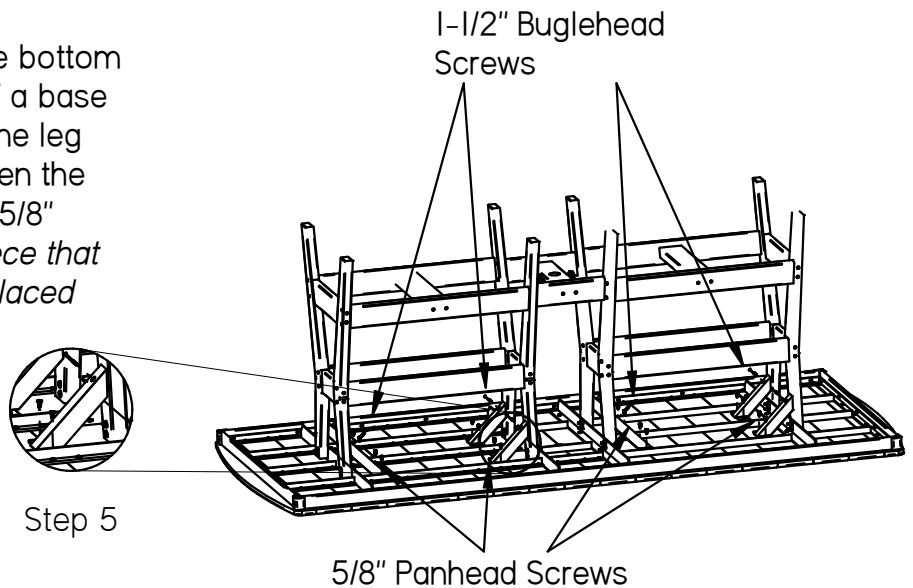
Step 4

Place 2nd base assembly in the correct position and fasten to table frame using 1/4"x2" Bolts and 1/4" Flange Nuts as shown. Next ensure the short cross pieces are correctly positioned against the center base and fasten using 3" Buglehead Screws.



Step 5

Start by placing a table brace against the bottom of the table top and against the inside of a base leg as shown. Fasten the brace against the leg using 1, 1-1/2" Buglehead Screw. Next fasten the aluminum piece against the top using 2, 5/8" Panhead Screws. *Note: The aluminum piece that is fastened against the brace should be placed against the table top.*



When tightening screws or lags, **DO NOT OVERTIGHTEN** to avoid stripping their hold on the material!