

Fairfield Window Planter Instructions

MIS006

General Information:

- Read instructions carefully before beginning assembly.
- Identify each component from material list.
- Do not use excessive force when assembling components.
- To clean this product, for best results use a soap solution and high-pressure water.

• **In the event of missing or defective parts, please call our customer service department toll free at 866-363-8834 (Mon.-Fri. 8am to 5pm EST).**

Tools Required:

- Cordless drill, Phillips drill bit, 1/4 inch drill bit
- Tape measure
- Level
- Adjustable wrench
- Stud finder

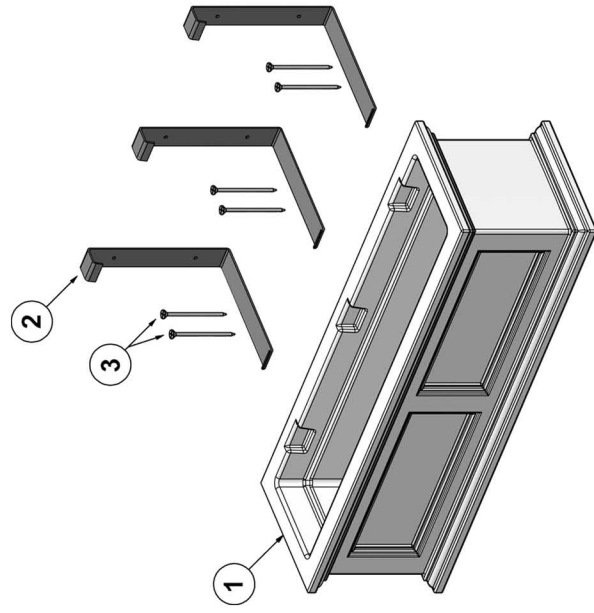
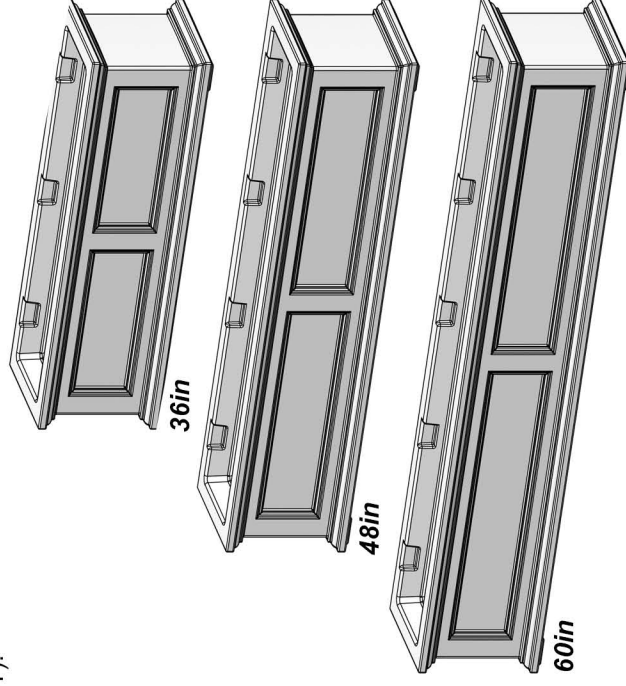
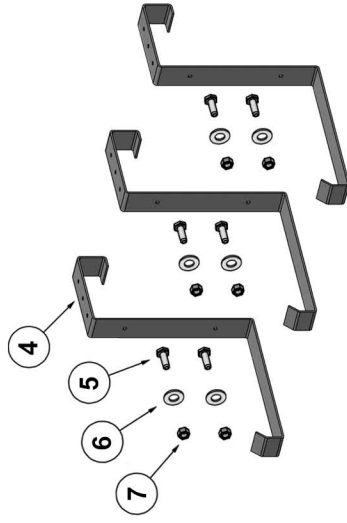
Materials List:

Part # Description

- | | |
|---|--|
| 1 | Decorative Window Planter (36in, 48in, or 60in length) |
| 2 | Wall Mount Brackets (3-pack, 4-pack, or 5-pack) |
| 3 | #8 x 2.5in steel screw (2 screws included with each bracket) |

Optional Deck Rail Kit (sold separately)

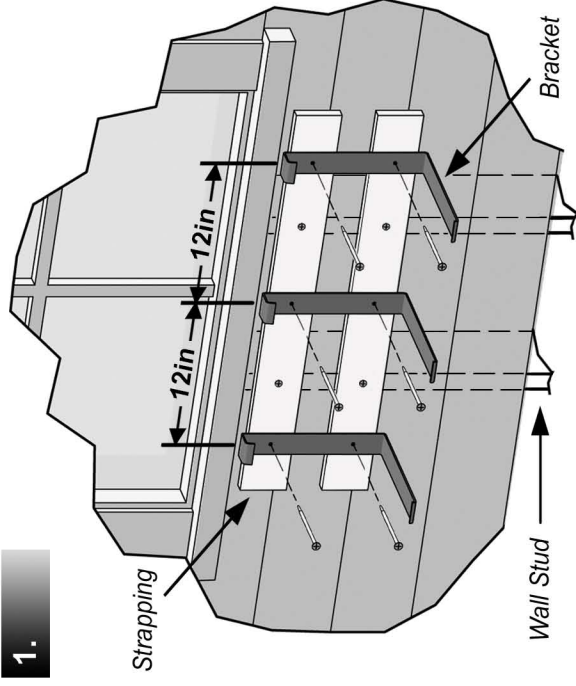
- | | |
|---|---|
| 4 | Deck Rail Brackets (3-pack, 4-pack, or 5-pack) |
| 5 | 3/16in x 1/2in Hex Head Bolt (2 bolts included with each bracket) |
| 6 | 1/4in Flat Washer (2 washers included with each bracket) |
| 7 | 3/16in Hex Head Nut (2 nuts included with each bracket) |



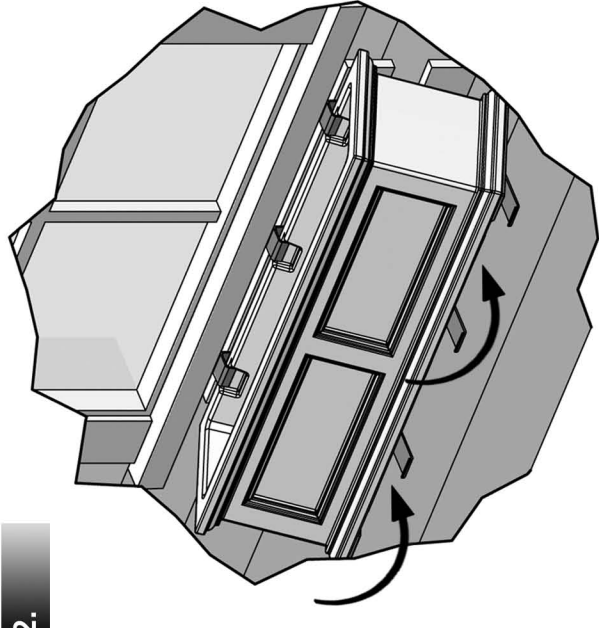
IMPORTANT NOTE:

- Do not overload the window boxes. Lightweight filler and potting mixes are recommended and yield better plant growth.

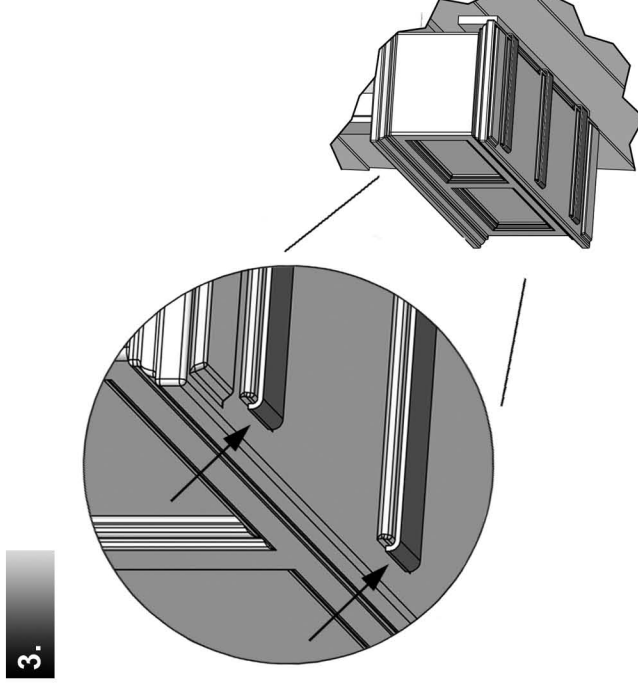
MAYNE[®]
Outdoor Products of Distinction
www.mayneposts.com



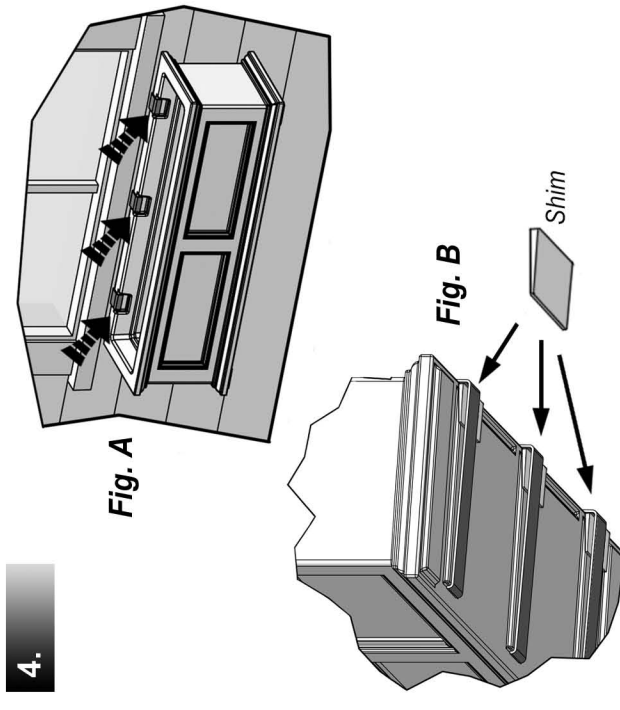
Install each bracket (part 2) using two screws (part 3), the required spacing is 12 inches on center. This is important to ensure the brackets line up properly with the planter. For installation on siding we recommend the use of strapping. Fasten the boards to the studs for extra strength. When installing into brick or concrete we recommend using masonry screws available at your local hardware store.



Tip the planter box into the brackets as illustrated ensuring the lips of the brackets fit into the molded grooves.

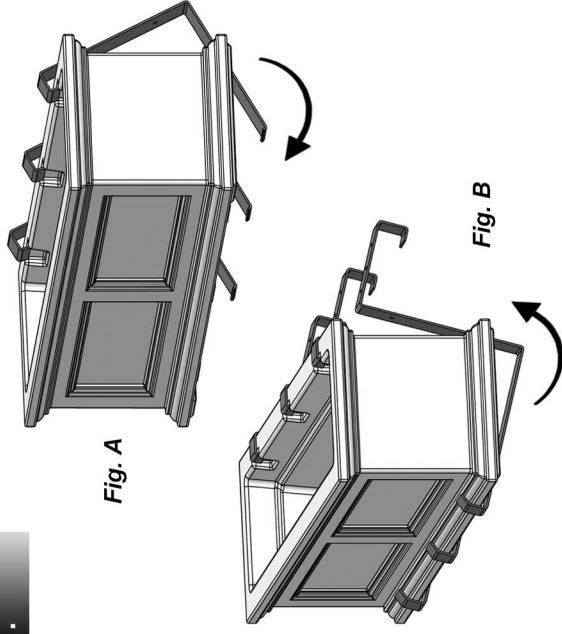


The molded feet on the bottom of the planter should sit flush on the brackets. Ensure that the front edge of each footing is seated properly against the lip of the bracket.



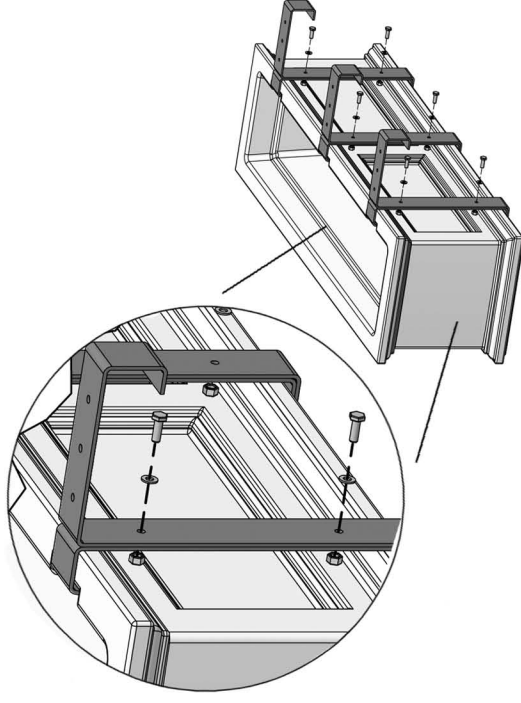
Due to shrinkage factors in the molding process the planter box may fit loose in the brackets. To tighten the fit use a rubber mallet to gently bend in the top lips of the bracket as indicated by the arrows (Fig. A). As a second option shims can be inserted between the brackets and planter footings (Fig B).

1.



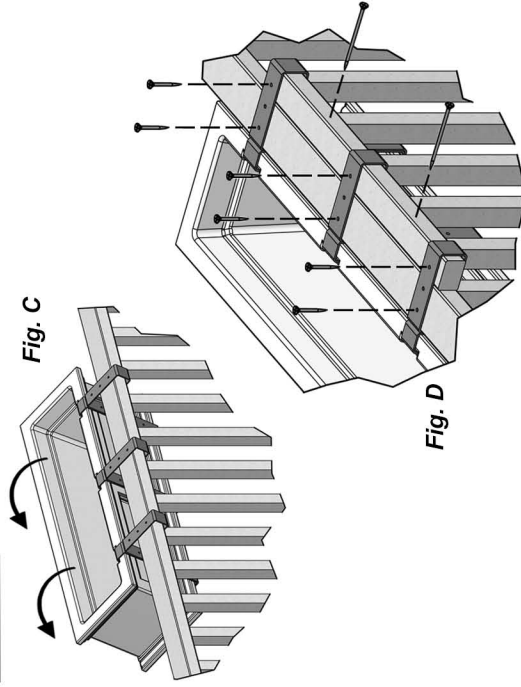
For deck rail installations first hook the wall mount brackets (part 2) onto the planter (part 1) as shown in Fig. A. Next, install the deck rail brackets (part 4) by hooking the front part of the bracket around the front of the planter as shown in Fig. B.

2.



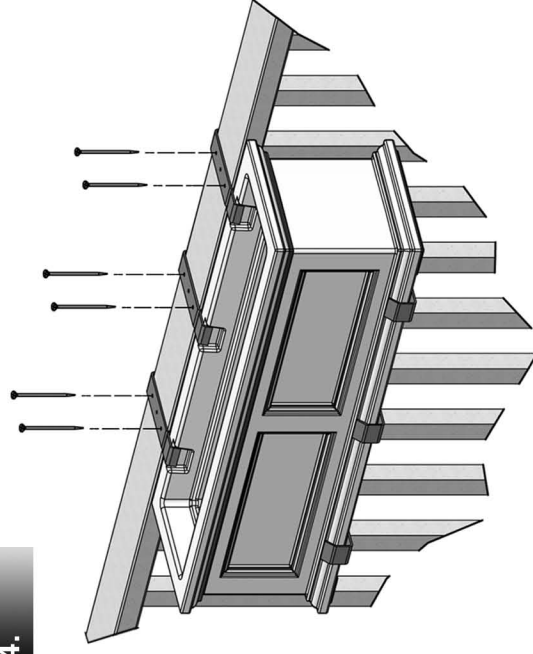
Align the deck rail brackets (part 4) with the existing wall mount brackets (part 2). Fasten them together using the bolt (part 5), washer (part 6), and nut (part 7) hardware provided.

3.



Lift the planter up on an angle and hook the brackets around the railing (Fig. C). Rotate the box back down to a resting position. For narrow railings we suggest using a piece of lumber backing to ensure the planter sits securely on the railing (Fig. D). The brackets and backing will need to be fastened in place.

4.



Three holes are pre-drilled in the top of each bracket. For added safety and security it is strongly recommended that at least 2 steel screws, or a nut and bolt combination be fastened directly to the railing through each bracket (hardware to fasten the bracket to the railing is not included).

Planting Instructions

Drainage Holes

Depending on the intended use of the planter we recommend pre-drilling a drainage hole. To maximize the effectiveness of the sub-irrigation system we recommend drilling a 1/4 inch hole in the bottom corner of the planter (Fig. 1). Make sure you drill the back side which will be mounted against the wall or railing and remain hidden. Dimensions are shown below (Fig. 2) to drill the drainage hole in the proper location. For the 48in and 60in window planters you may wish to drill a drainage hole at each end. If you prefer to use planter trays you can simply drill a 1/2 inch drainage hole in the bottom of the planter to avoid water overflow.

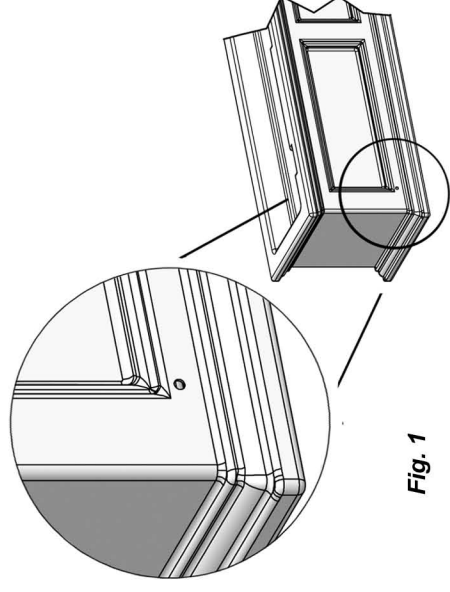


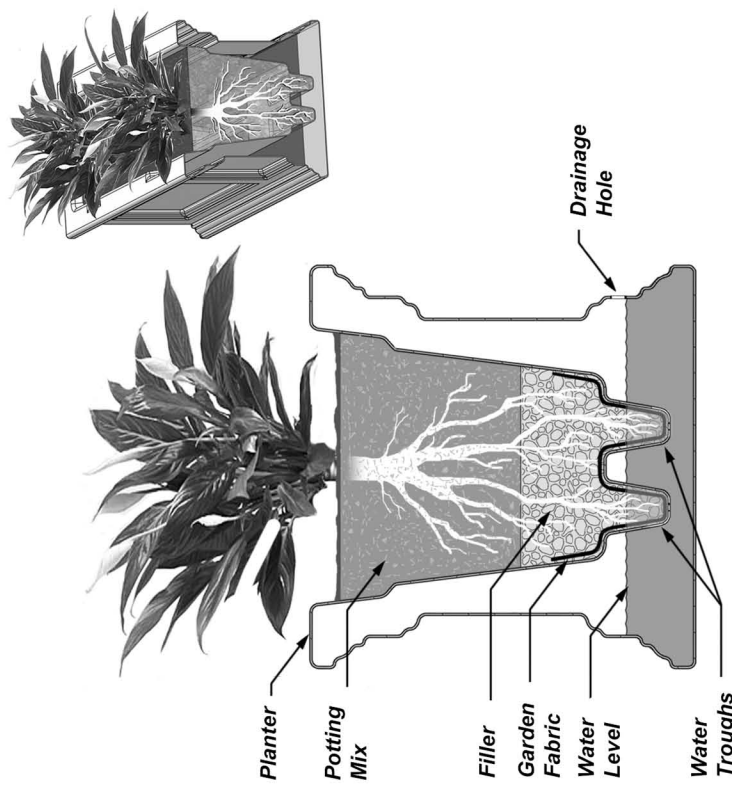
Fig. 1

Fig. 2

Sub-Irrigation System

To maximize the efficiency of the sub-irrigation system and encourage healthy plant growth we recommend the following:

- 1) Fill the reservoir with water allowing the overflow to pour out the drainage hole.
- 2) Place a layer of garden fabric along the bottom of the planter making sure it fits into the troughs. This will keep the potting mix from falling into the water reservoir.
- 3) Add a few of inches of lightweight filler in the bottom portion of the planter (i.e. vermiculite).
- 4) Top off the planter with a potting mix (not garden soil) containing peat, perlite or vermiculite (*note: many gardeners have found "soiless" potting mixes promote stronger root growth*).



Watering:

It may take several weeks (6-8) before the root system will fully grow into the trough system. Until that time regular watering is required. Please note that planters with increased exposure to the sun will loose moisture quickly.